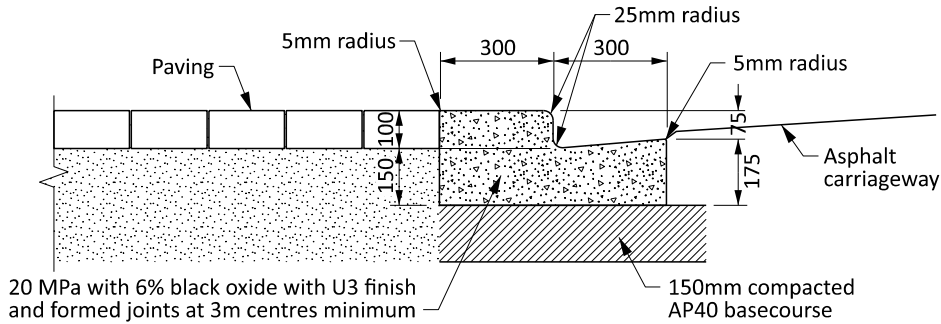
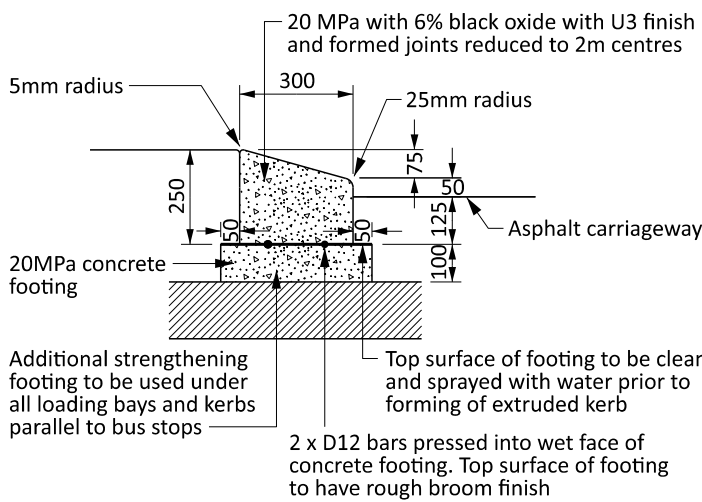


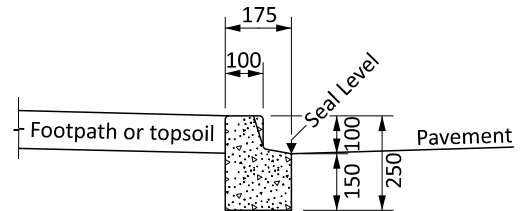
EXTRUDED DISH CHANNEL



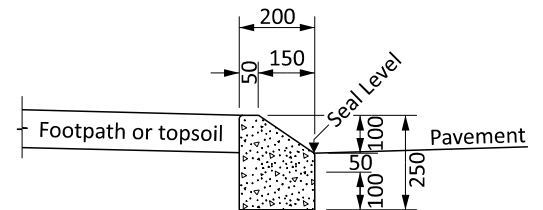
EXTRUDED KERB AND CHANNEL



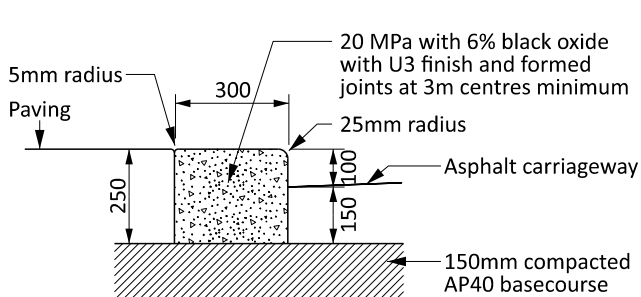
EXTRUDED MOUNTABLE KERB FOR CROSSINGS



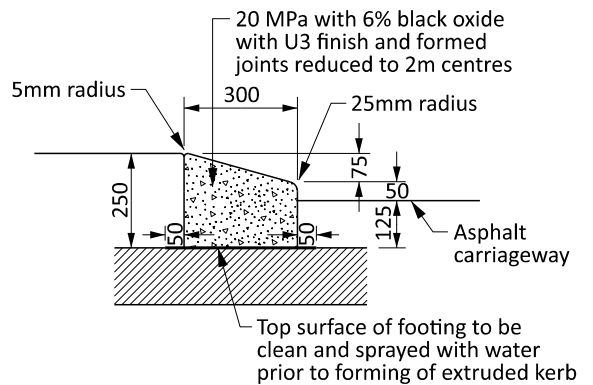
NIB KERB



MOUNTABLE KERB



EXTRUDED KERB



EXTRUDED MOUNTABLE KERB