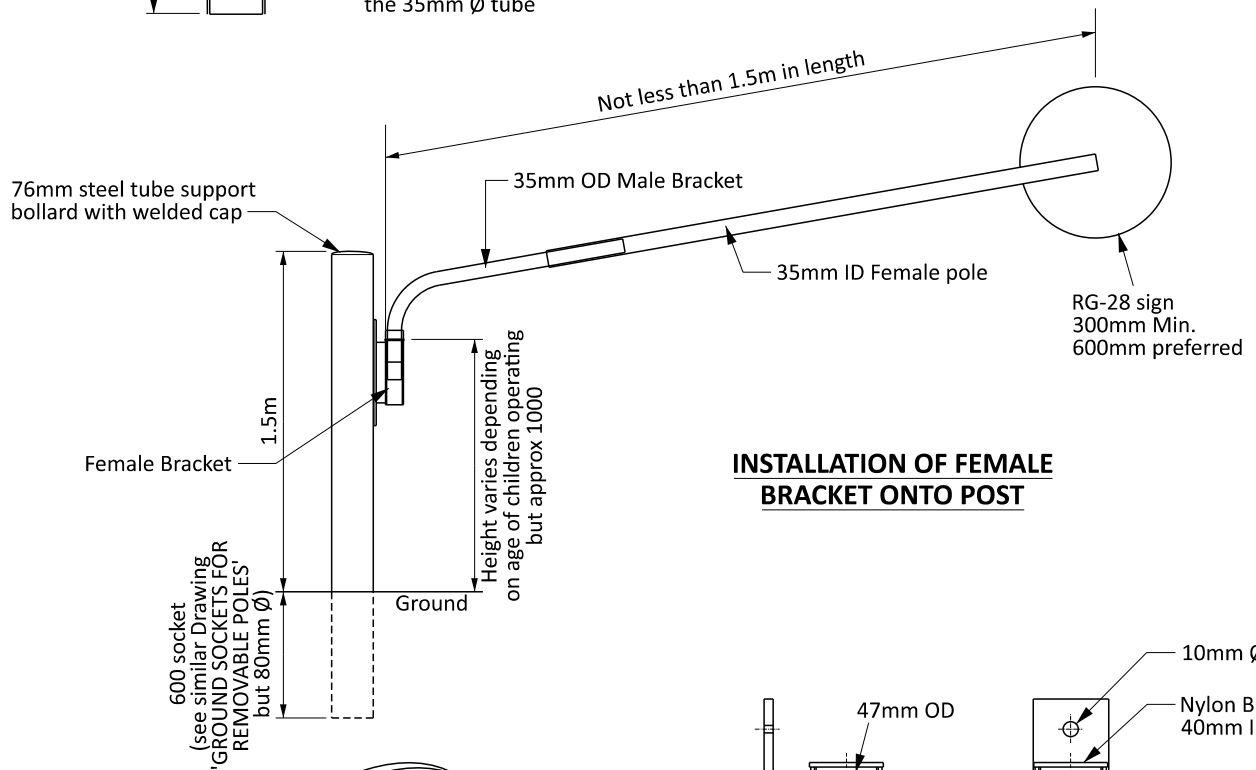
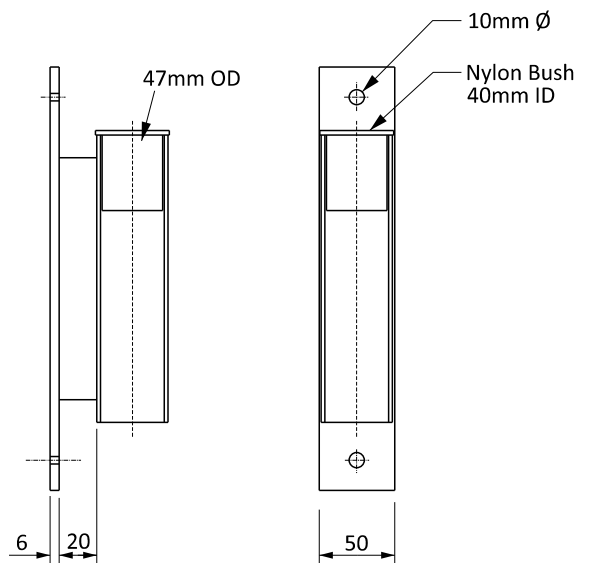
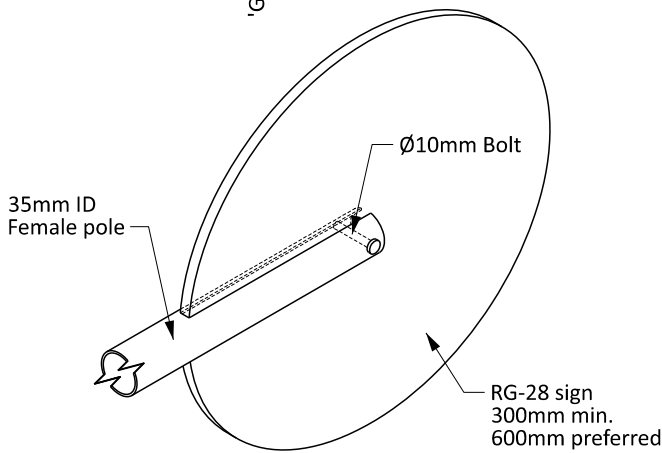


MALE BRACKET



INSTALLATION OF FEMALE BRACKET ONTO POST



FEMALE BRACKET

NOTE:

All components are to be galvanised steel