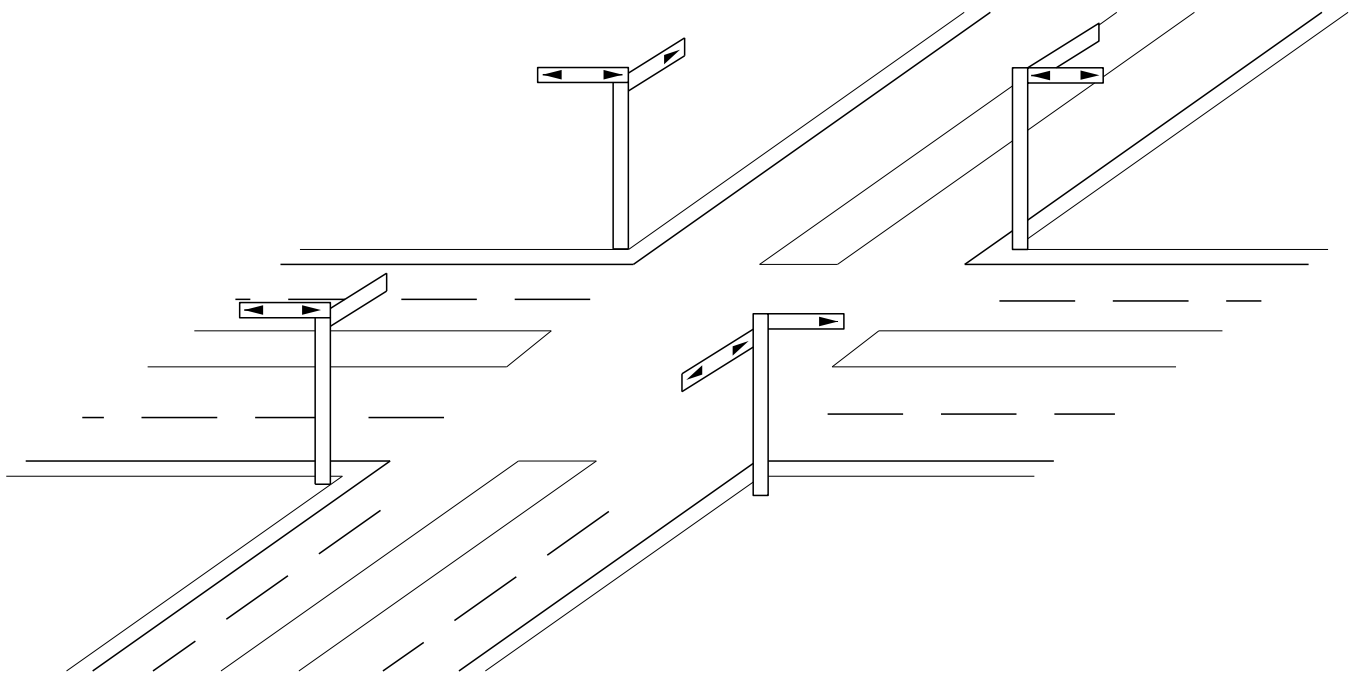


'T' INTERSECTIONS



CROSS INTERSECTIONS

NOTES:

Triangular arrows to be added to Street Name signs as indicated on diagrams (both sides of sign).