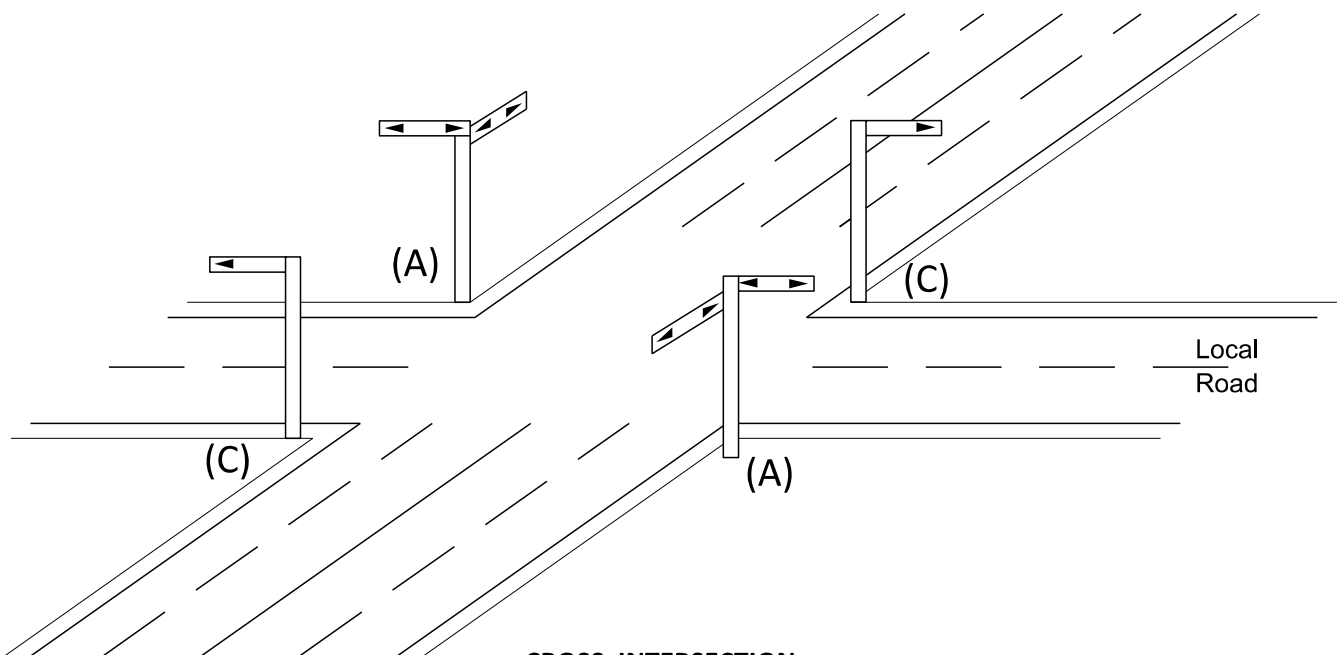


'T' INTERSECTION



CROSS INTERSECTION

NOTES:

1. Triangular arrows to be added to Street Name signs as indicated on diagrams (both side of signs).
2. Signs should always be provided at location (A).
3. At 'T' intersection, a sign only needs to be erected at location (B) when the carriageway is excessively wide or due to visibility constraints.
4. Where the name of the cross-street changes, additional name signs should be provided at location (C).