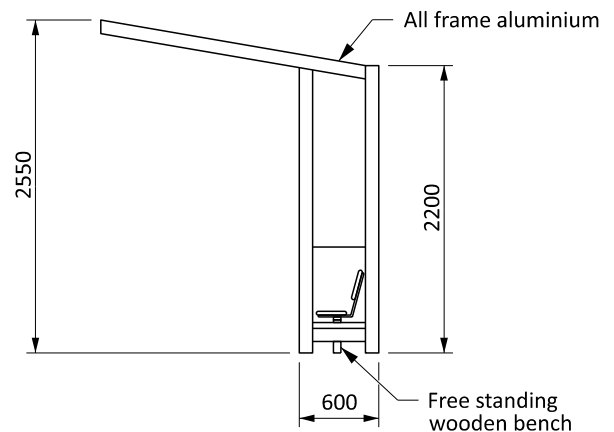
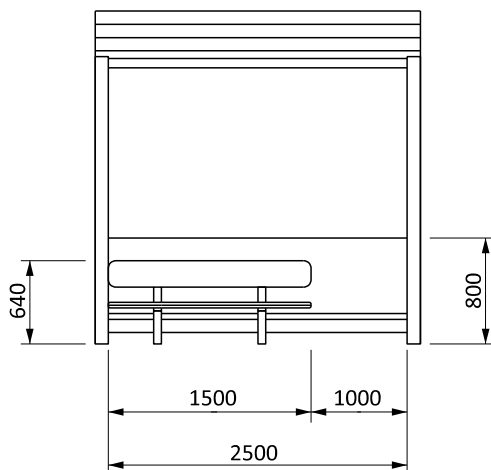


BUS SHELTER



MINI BUS SHELTER

NOTES:

1. All measurements in mm.
2. Perforated steel for all of shelter. Panels to be powder coated black. (CPTED situations or similar may be glass)
3. Upper portion of back panels to be glass only in situations where CPTED conditions require.
4. Where required, glass specification to be confirmed with council.