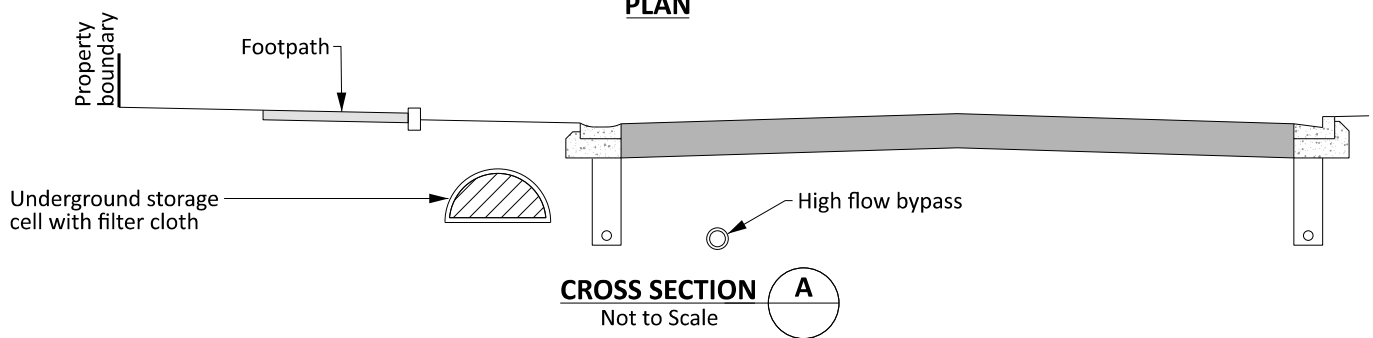


**PLAN**



**CROSS SECTION A**  
Not to Scale