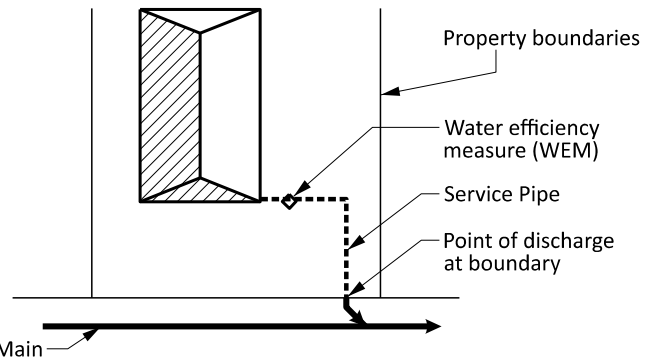
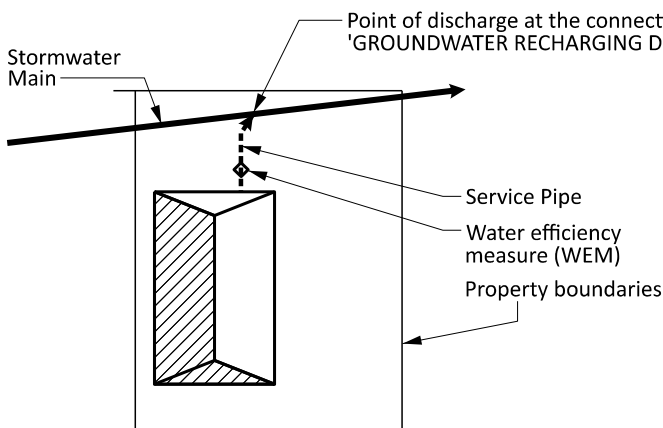


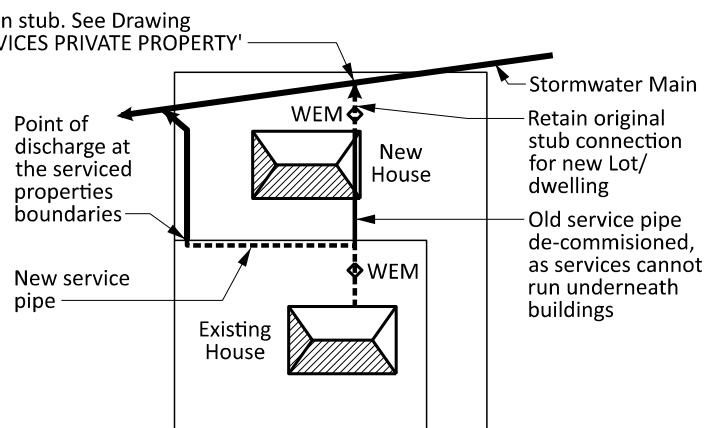
**SINGLE PROPERTY**  
Soakage



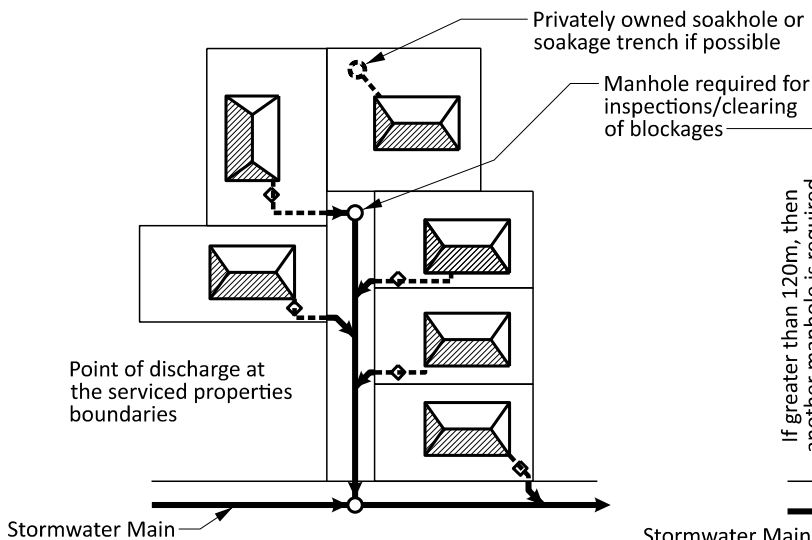
**SINGLE PROPERTY**  
Single Connection - Outside Property



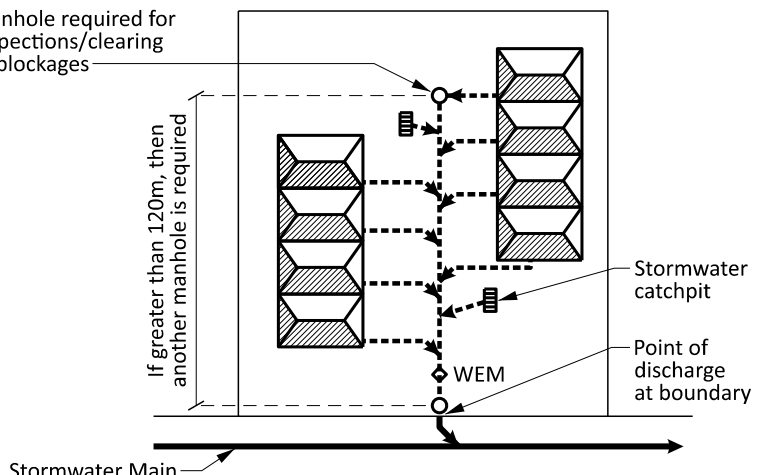
**SINGLE PROPERTY**  
Single Connection - Inside Property



**SUBDIVISION**  
Two Connections - Inside Property



**5+ CUSTOMERS**  
Accessway



**5+ CUSTOMERS**  
Single Lot

**KEY:** — Council Ownership    - - - - - Private Ownership    ◊ Water Efficiency Measure (WEM)



# STORMWATER CONNECTION LAYOUT