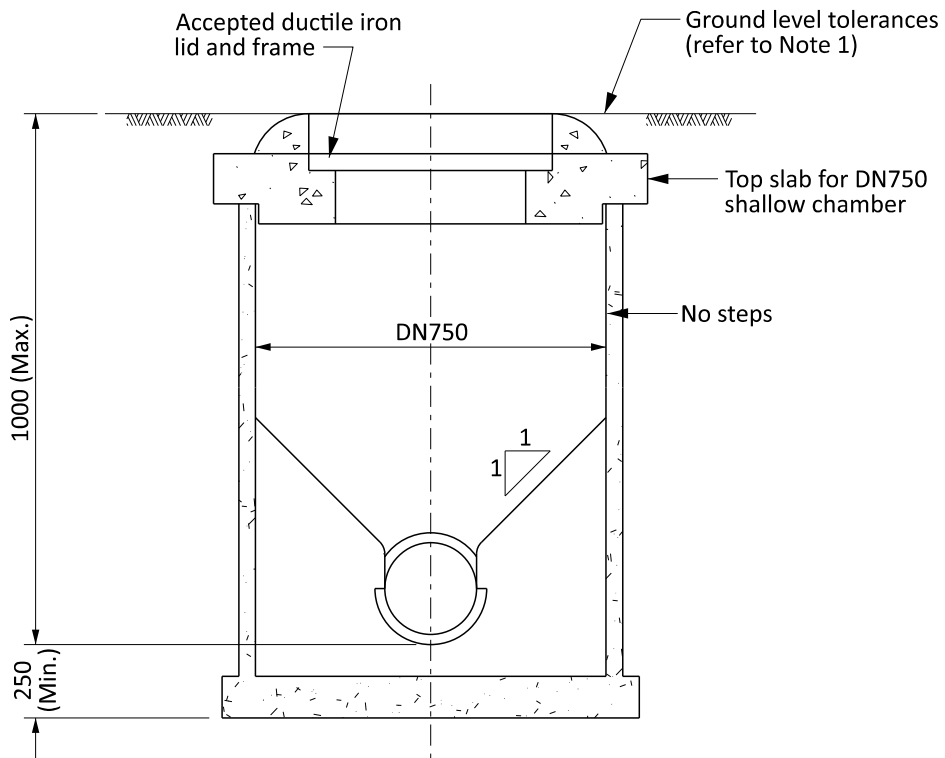


### TOP SLAB FOR DN750 SHALLOW CHAMBER



### DN750 INTERNAL SHALLOW CHAMBER

To be used only on pipes of DN100 to DN300 and where depth of invert is less than 1000mm

#### **NOTES:**

1. Ground level tolerances: Pavement +0mm, -5mm  
Berm +5mm, -5mm  
Footpath +10mm, -0mm