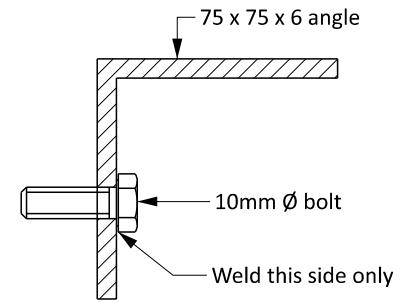
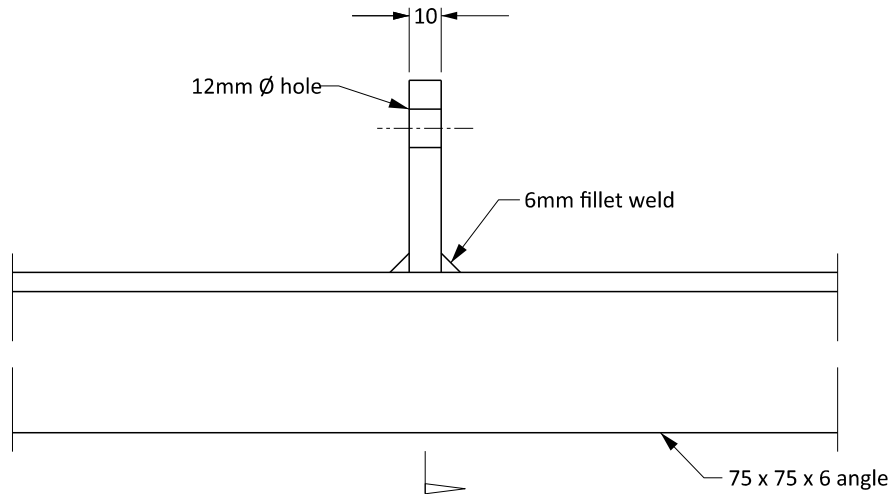
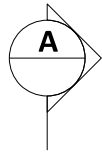


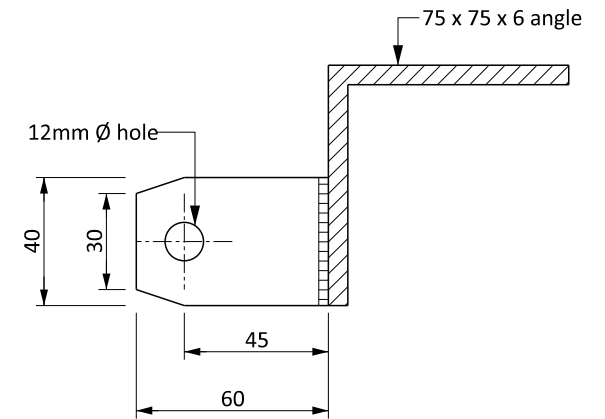
**DETAIL 4**



Detail of Bolt to be attached to pump frame as close as possible to duct for electrical connection



**DETAIL 5**



**SECTION A**